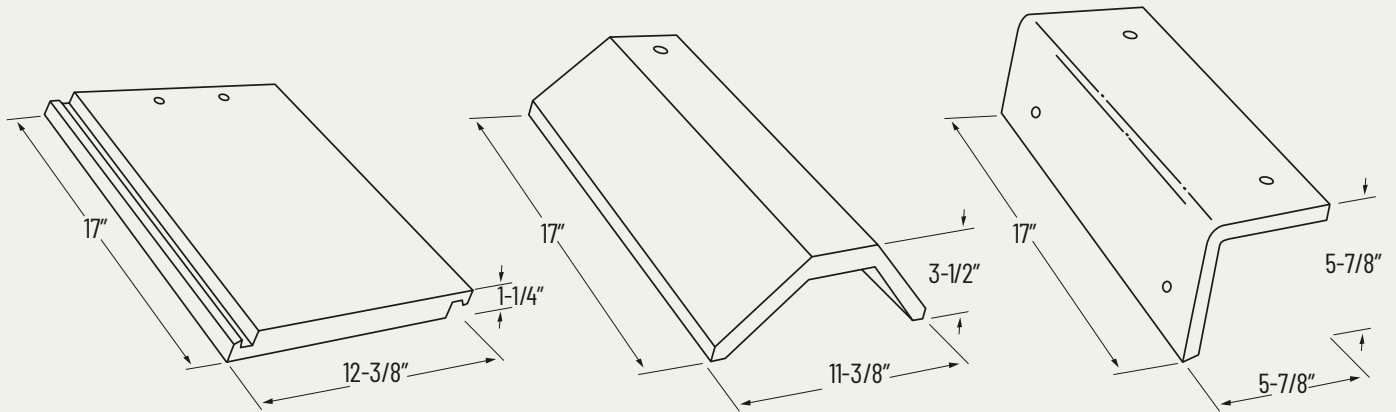


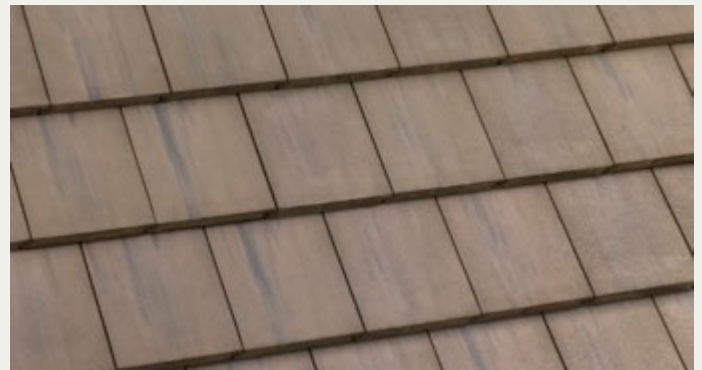
# Bel Air

PER 100 SQ FT | **88.5** Tiles (3" headlap)  
**970** Pounds (approx.)

Sometimes, the beauty is in the simplicity of the design. The Bel Air profile is a flat, smooth tile that offers clean lines and versatility to use on a variety of different architectural styles. Plus, it allows you to go heavier on other exterior elements such as pavers, stonework and landscaping, all of which will dramatically complement your Bel Air concrete tile roof. The choices are endless!

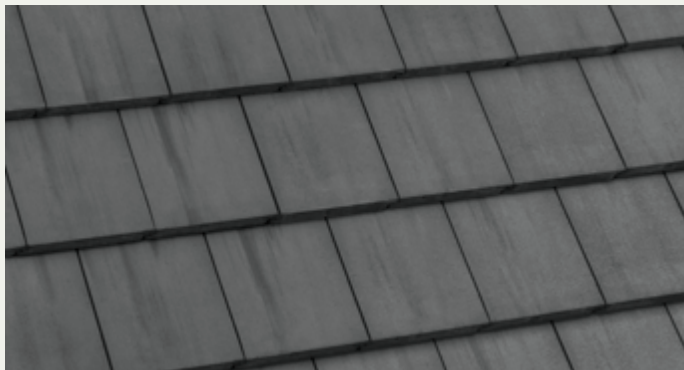


**4477 Viera Blend** - Blend of Dark Brown, Tan



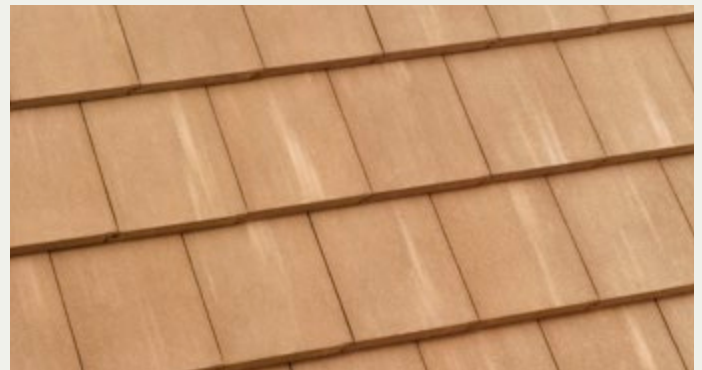
**4502 Arcadia Canyon Brown** - Hues of Dark Brown, Black Streaks

Ref: .13 Emi: .94 SRI: 12 A.SRI: 16 CRRC: 0918-0043



**4503 Sierra Madre** - Hues of Charcoal, Black Streaks

Ref: .11 Emi: .92 SRI: 9 A.SRI: 12 CRRC: 0918-0111



**4507 Boca Cream** - Hues of Mocha, Cream Streaks

Ref: .32 Emi: .90 SRI: 34 A.SRI: 34 CRRC: 0918-0062



# Bel Air



**4516 Royal Palm** - *Hues of Gray, White Streaks*



**4549 Santa Paula** - *Hues of Tan, Cream, Brown Streaks*

Ref: .20    Emi: .89    SRI: 18    A.SRI: 18    CRRC: 0918-0049



**4591 Dark Gray Range** - *Range of Dark Gray*



**4595 Dark Charcoal** - *Hues of Dark Charcoal, Black Streaks*



**4602 Concord Blend** - *Blend of Charcoal, Tan*

Ref: .15    Emi: .92    SRI: 14    A.SRI: 15    CRRC: 0918-0107



**4603 Sanborn Blend** - *Blend of Terracotta, Brownish Tan, Black Streaks*



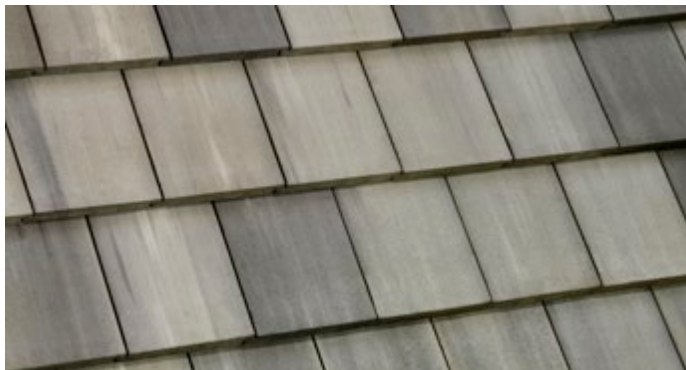
**4620 Bloomingdale Blend** - *Blend of Gray, Eggplant, Gold*



**4629 Floridian Blend** - *Blend of Terracotta, Brown, Red, Light Gray, Black Streaks*



Bel Air  
4595 Dark Charcoal

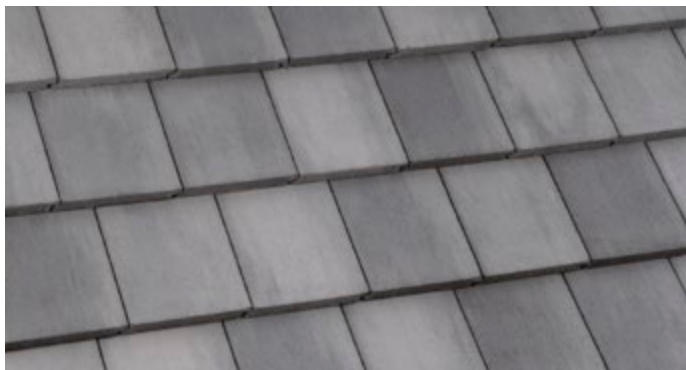


**4655 Mount Dora Blend** - Blend of Gray, White, Black Streaks

Ref: .17    Emi: .93    SRI: 17    A.SRI: 18    CRRC: 0918-0109

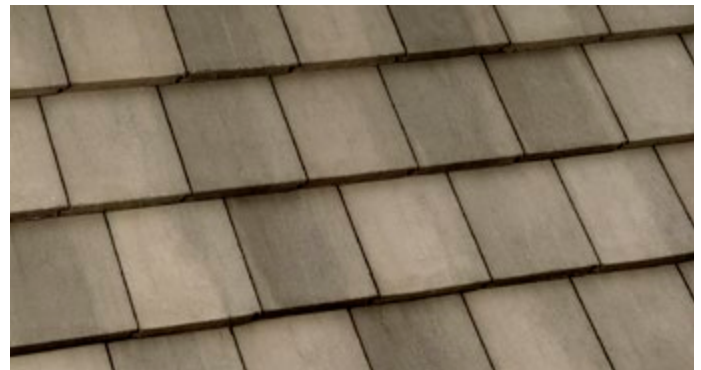


**4664 Terracabra Range** - Range of Terracotta



**4679 Light Gray Range** - Range of Light Gray

Ref: .21    Emi: .93    SRI: 22    A.SRI: 21    CRRC: 0918-0004



**4687 Brown Gray Range** - Range of Brown, Gray

Ref: .15    Emi: .91    SRI: 13    A.SRI: 15    CRRC: 0918-0028





**4698 Kona Red Range** - Range of Red

Ref: .25    Emi: .83    SRI: 22    A.SRI: 28    CRRC: 0918-0018



**4743 Cocoa Range** - Range of Dark Brown

Ref: .12    Emi: .91    SRI: 9    A.SRI: 12    CRRC: 0918-0106



**4773 Walnut Creek Blend** - Blend of Tan, Orange, Dark Brown

Ref: .20    Emi: .94    SRI: 21    A.SRI: 23    CRRC: 0918-0037



**4700 Ultra White\*** - Range of White

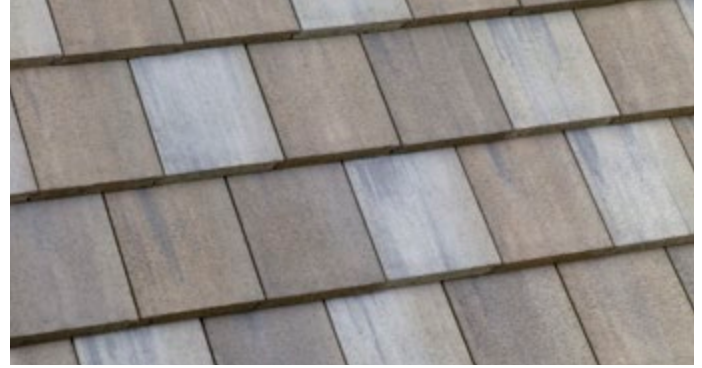
*Our new Ultra White color-thru tile is replacing our previous White on White slurry tile.*

**\*Premium Price**



**4804 Rocklin Blend** - Blend of Brown, Light Brown, Mocha

Ref: .18 Emi: .94 SRI: 18 A.SRI: 22 CRRC: 0918-0101



**4883 Hillsborough Blend** - Blend of Brown, Natural Gray, Light Brown, w/streaks

Ref: .17 Emi: .94 SRI: 17 A.SRI: 20 CRRC: 0918-0098



**49507 Moss Creek** - Hues of Green, Dark Green Streaks



Bel Air  
4773 Walnut Creek Blend

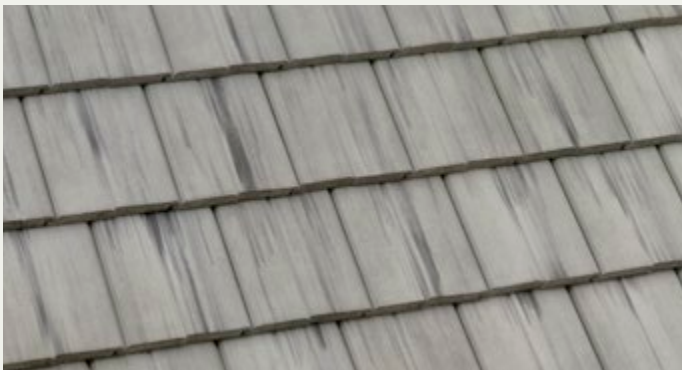
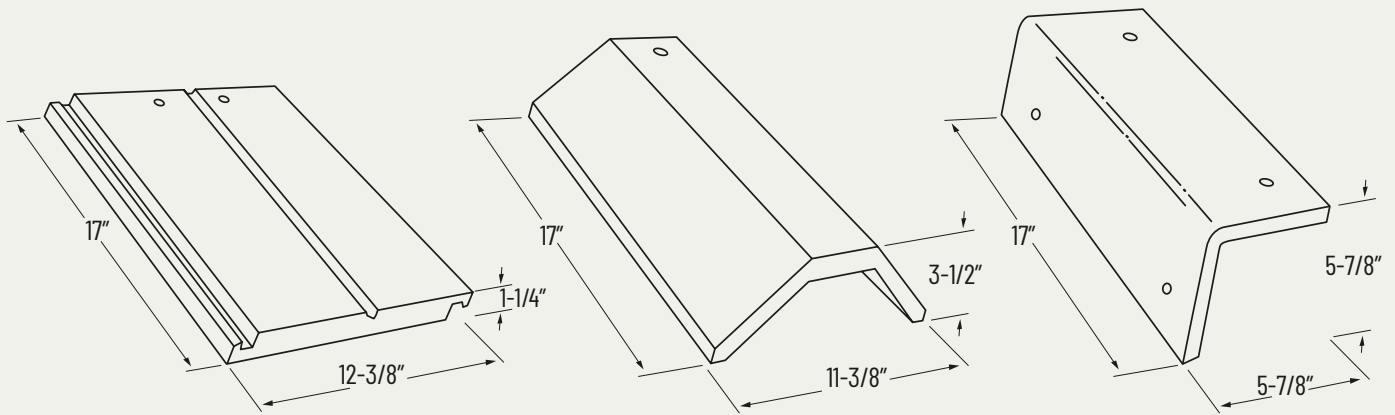


Double Eagle Bel Air  
4046 Rockledge

# Double Eagle Bel Air

PER 100 SQ FT | **88.5** Tiles (3" headlap)  
**970** Pounds (approx.)

The Double Eagle Bel Air profile has a smooth surface coupled with a split tile appearance that adds the right amount of subtle differentiation and dimension to a classic look. The best part? It's perfect for any residential or commercial project.

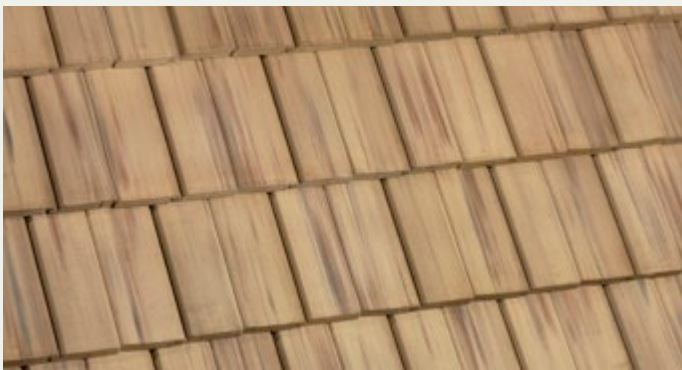


**4011 Flintridge Gray** - Hues of Natural Gray, Black Streaks

Ref: .21 Emi: .93 SRI: 22 A.SRI: 20 CRRC: 0918-0003



**4046 Rockledge** - Hues of Dark Charcoal, Rust, Red Streaks



**40517 Wildwood** - Hues of Tan, Maroon, Black Streaks



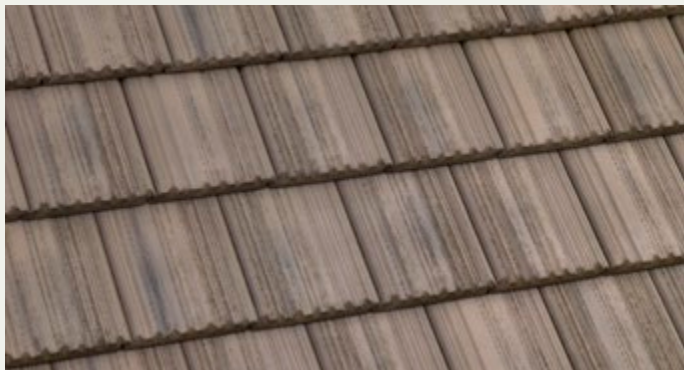
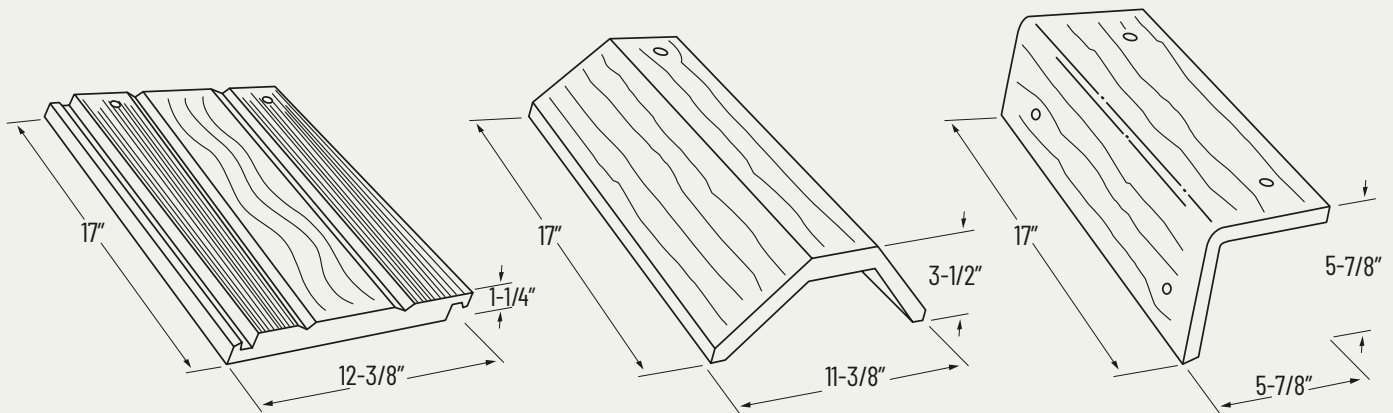
Golden Eagle  
1687 Brown Gray Range



# Golden Eagle

PER 100 SQ FT | **88.5** Tiles (3" headlap)  
**970** Pounds (approx.)

*Emulating an upgraded wood shake look, the Golden Eagle profile combines a smooth, flat surface with a partial broom swept texture that immediately grabs your attention. This type of texture allows you to create an intriguing design that welcomes many different styles from French Provincial to Cozy Cottage and even a Coastal home. This profile is available in rich, neutral shades which will definitely make a home more inviting!*



**1502 Arcadia Canyon Brown** - Hues of Dark Brown, Black Streaks  
 Ref: .13 Emi: .94 SRI: 12 A.SRI: 16 CRRC: 0918-0043



**1687 Brown Gray Range** - Range of Brown, Gray  
 Ref: .15 Emi: .91 SRI: 13 A.SRI: 15 CRRC: 0918-0028



**1699 Charcoal Range** - Range of Gray  
 Ref: .15 Emi: .94 SRI: 15 A.SRI: 16 CRRC: 0918-0046



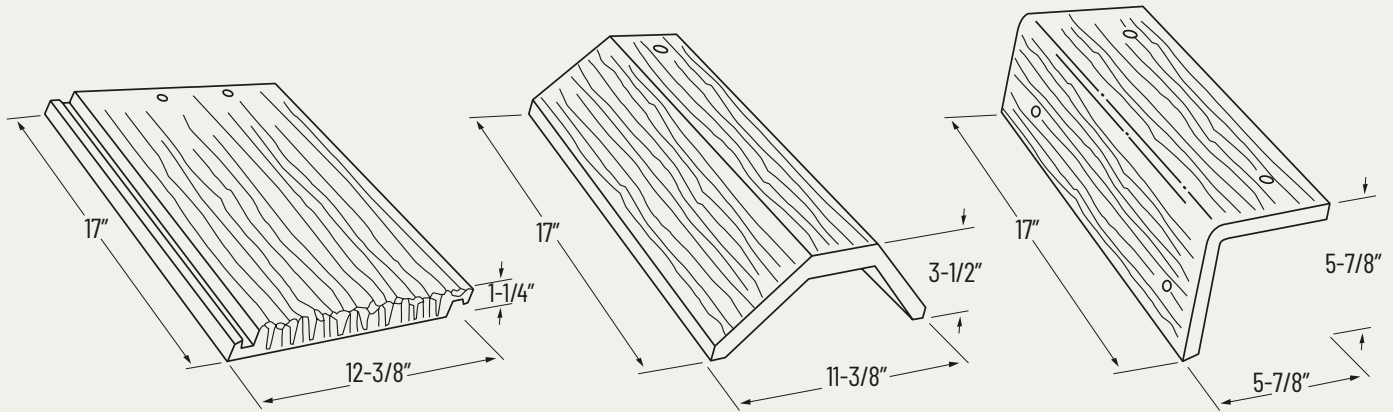


Ponderosa  
5503 Sierra Madre

# Ponderosa

PER 100 SQ FT | **88.5** Tiles (3" headlap)  
**970** Pounds (approx.)

*A more durable and affordable alternative to natural wood shake, our Ponderosa tile has beautifully textured shadow lines that graze its surface to deliver a truly rustic wood appearance. If you are seeking remarkable curb appeal, a Ponderosa roof will complement many architectural styles including Prairie, Craftsman and Bungalow, to name a few.*



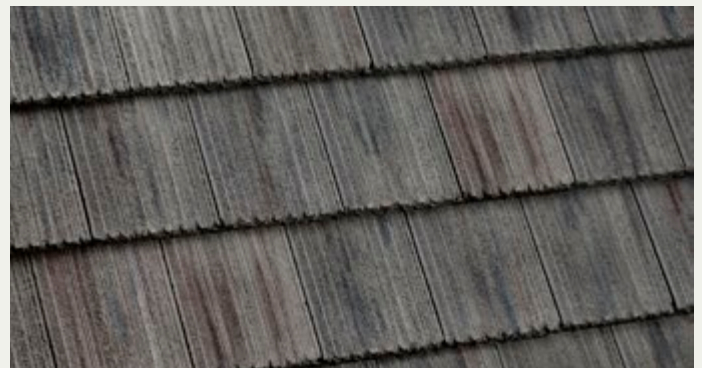
**5502 Arcadia Canyon Brown** - Hues of Dark Brown, Black Streaks  
 Ref: .13 Emi: .94 SRI: 12 A.SRI: 16 CRRC: 0918-0043



**5503 Sierra Madre** - Hues of Charcoal, Black Streaks  
 Ref: .11 Emi: .92 SRI: 9 A.SRI: 12 CRRC: 0918-0111



**5687 Brown Gray Range** - Range of Brown, Gray  
 Ref: .15 Emi: .91 SRI: 13 A.SRI: 15 CRRC: 0918-0028



**56046 Rockledge** - Hues of Dark Charcoal, Rust, Red Streaks

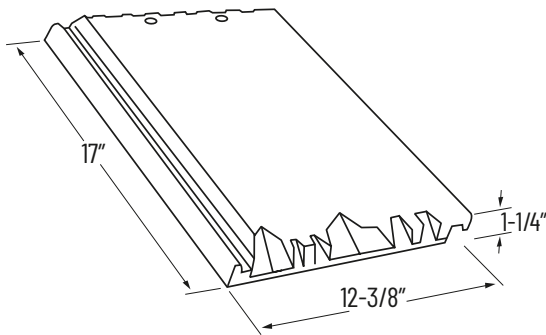


Tapered Slate  
49655 Mount Dora Blend

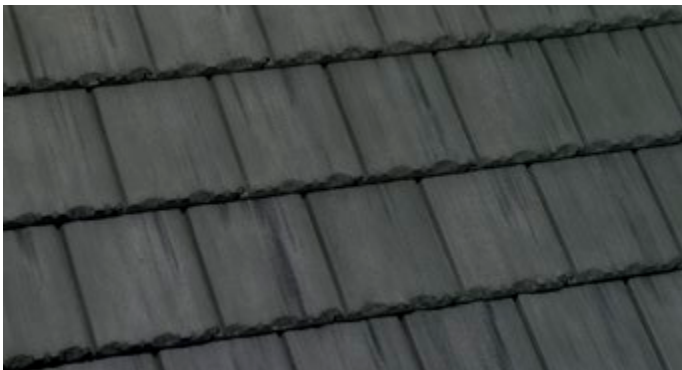
# Tapered Slate

PER 100 | **88.5** Tiles (3" headlap)  
 SQ FT | **970** Pounds (approx.)

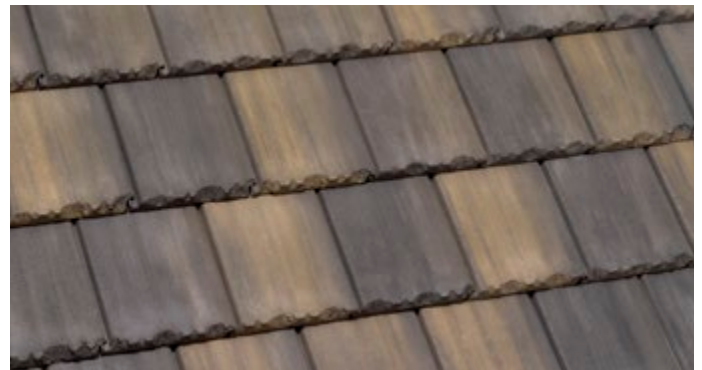
*Tapered Slate tile features a beautiful smooth texture, beveled sides and an aggressive chamfered edge treatment that highlights the inherent beauty of traditional slate. Colors range from a variety of timeless earth tones, producing a natural blend of varying depths for a brilliant roof that you will be proud of.*



**49581 Arcadia Canyon Brown** - Hues of Dark Brown, Black Streaks  
 Ref: .13 Emi: .94 SRI: 12 A.SRI: 16 CRRC: 0918-0043



**49595 Dark Charcoal** - Hues of Dark Charcoal, Black Streaks



**49602 Concord Blend** - Blend of Charcoal, Tan  
 Ref: .15 Emi: .92 SRI: 14 A.SRI: 15 CRRC: 0918-0107

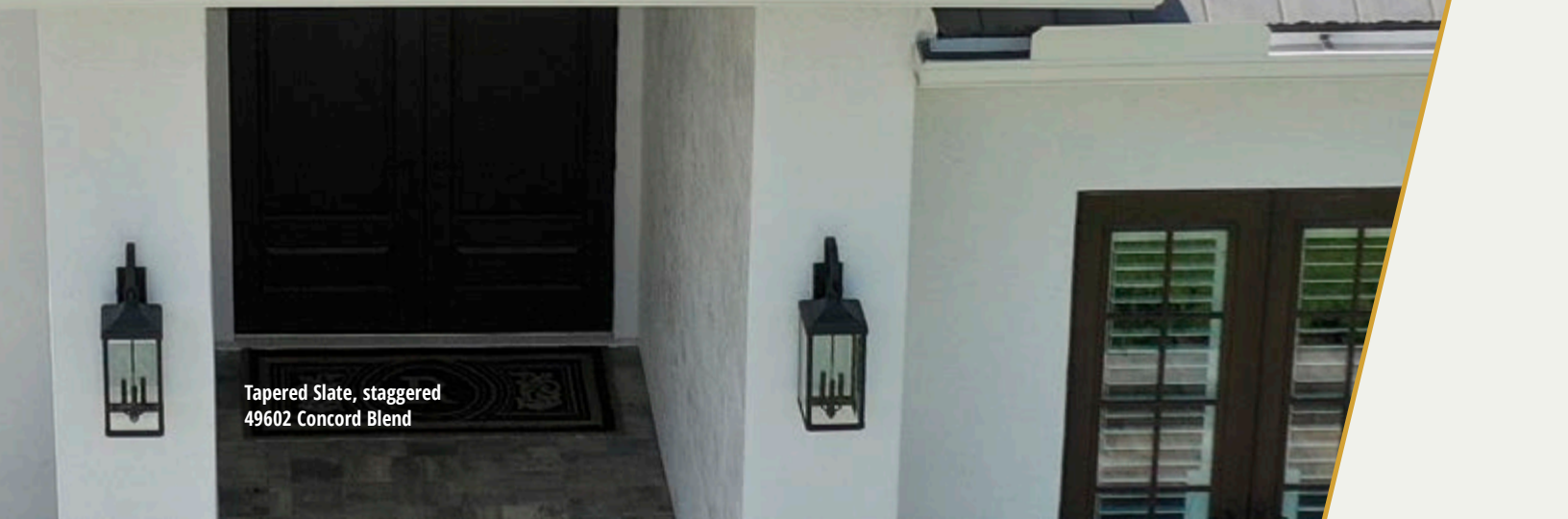


**49634 Kings Canyon Blend** - Blend of Dark Green, Tan, Red and Black Streaks  
 Ref: .13 Emi: .94 SRI: 12 A.SRI: 16 CRRC: 0918-0044



**49655 Mount Dora Blend** - Blend of Gray, White, Black Streaks  
 Ref: .17 Emi: .93 SRI: 17 A.SRI: 18 CRRC: 0918-0109





Tapered Slate, staggered  
49602 Concord Blend

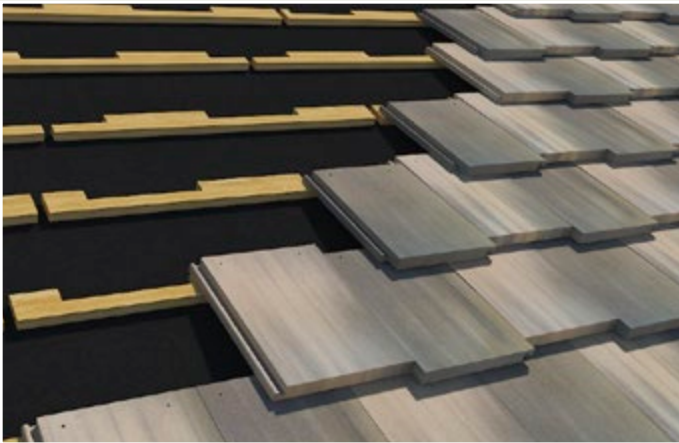
# Staggered Installation

*Installing flat tile with a staggered exposure is an easy way to give a home an “Old World” look. While staggered exposure tiles are a natural fit for architectural styles like English Cottage and French Country, this unique look can breathe new life into homes of many varied styles.*

**It is vitally important that the professional roofing contractor plans the entire roof layout prior to installing tiles, taking into consideration the weight and waste.** Approximately half of the tiles on a staggered roof will have a shorter exposure than the other half. It will be essential to calculate the additional tiles required to create a unique staggered exposure roof prior to ordering product. Whether installing a staggered exposure tile roof with battens or without, it is imperative to make proper measurements when preparing the roof for installation. The first course at the eave will be installed normally with a standard exposure. The staggered exposure begins at the second course.

If battens are utilized, the staggered exposure is achieved by installing partial battens (no greater than 12” in length) immediately above the primary course battens beginning on the second course (as seen in upper inset illustration). The tiles with the shorter exposure will hang on the higher partial batten (see image). If a direct-to-deck application is utilized (no battens), a second set of chalk lines will be marked at each course, one line for the normal exposure and one for the staggered exposure tiles. This is based on a 1” stagger.

**One more consideration is the water channel at the left side of the tile.** The bottom of the water channel will be visible. Leaving this portion of the water channel exposed can detract from the desired look of the staggered roof, especially on steeper roof pitches where a majority of the face of each tile will be visible. If desired, exposed channel can be removed using a saw and/or tile nippers (as seen in lower inset illustration).



*In the end, you can rest assured that flat tile with a staggered exposure will create an overall beautiful, unique look to your project.*

*Please note that although aesthetically stunning, staggered installations are extremely complicated and may cause layout and waterproofing complications. Your Roofing Contractor is ultimately responsible for the planning and proper installation of the tile.*

